

# MINIVALVES, MECHANICALLY AND HAND OPERATED SERIES VME

- Minivalves with 3/2 NO NC poppet,
  - Installation in any position
  - Push-in fittings for pipe  $\varnothing$  4 mm and M5 on the valve body
  - Low actuation force
  - Rapid, accurate signal
  - Mechanical actuation
  - The 2 places adapter allows manual actuation of 1 or 2 VME valves with manual  $\varnothing$  22 panel actuators. Thus it is possible to obtain 3/2, 5/2, 5/3 open centre and 5/3 pressure centre pneumatic functions.
- On request, it is possible to place a NC-NO electric switch next to a VME valve for mixed solenoid/pneumatic signals.

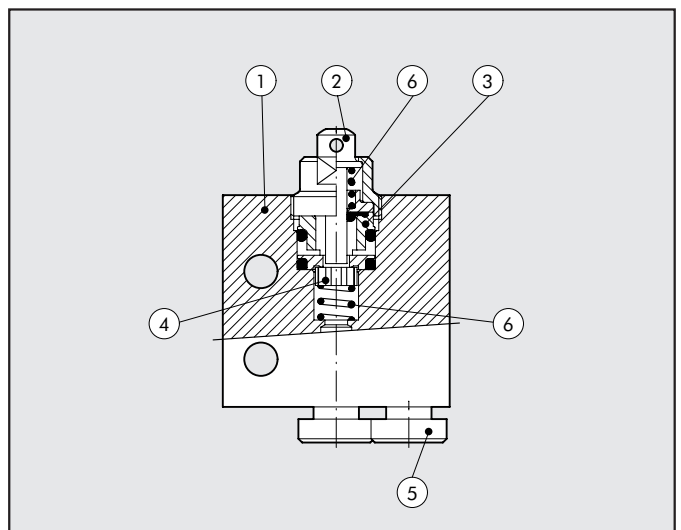


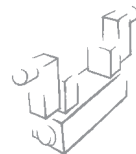
## TECHNICAL DATA

Valve fitting port	Push-in fitting for pipe diam. 4 and M5 (axial or side)
Fluid	Filtered air without lubrication; lubrication, if used, must be continuous
Type	with poppet
Versions	Mechanical and manual
Operators:	
• mechanical	With Plunger – Plunger for wall-mounting – Roller lever – Unidirectional roller lever
• manual	Depending on the type of actuation panel selected
Operating pressure	0.5-10 bar
Operating temperature range	-10° ÷ +60°C
Nominal diameter	2.5 mm
Conductance C	16.5 NI/min · bar
Critical ratio b	0.03 bar/bar
Flow rate at 6 Bar P 0.5 Bar	35 NI/min
Flow rate at 6 Bar P 1 Bar	60 NI/min
Actuation force – Plunger at 6 Bar	8 N
Recommended lubricant	ISO and UNI FD 22
Installation	In any position
Compatibility with oils:	please refer to page 6.1/08

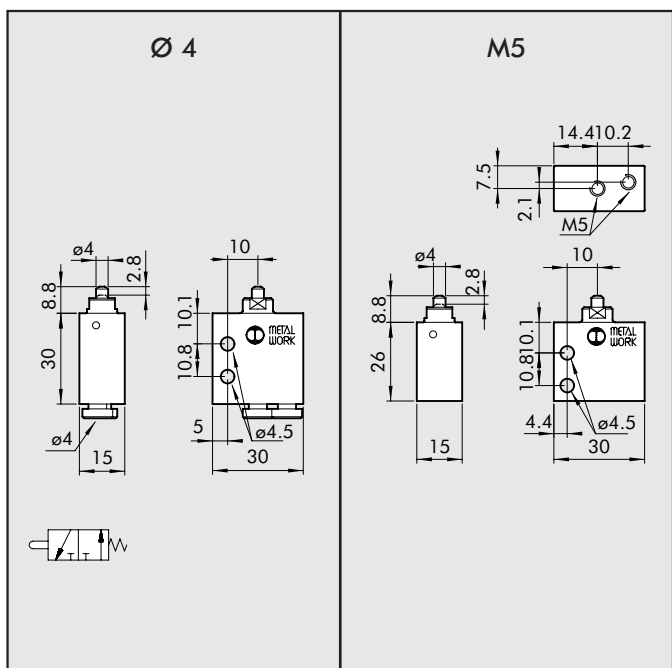
## COMPONENTS

- ① VALVE BODY: Aluminium
- ② BUTTON: chemically nickel-plated brass
- ③ DISTANCE PLATES: Brass
- ④ GASKETS: NBR nitrile rubber
- ⑤ PUSH-IN FITTING CARTRIDGES: stainless steel, brass and plastic
- ⑥ SPRINGS: stainless steel



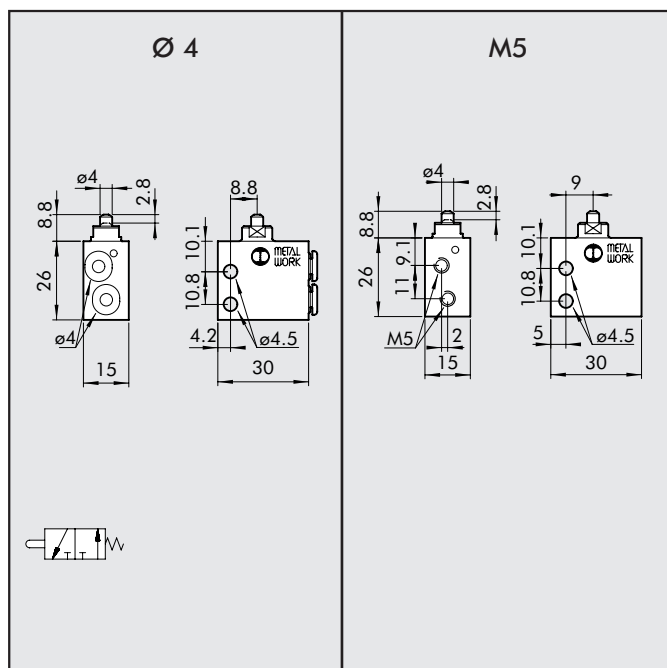


### PLUNGER 3/2 NO – AXIAL FITTINGS



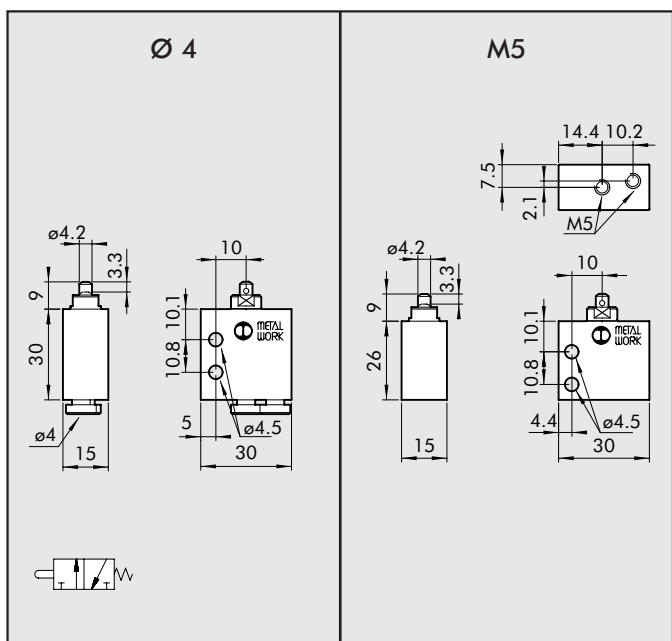
Code	Description	Weight [g]
W3501000101	VME1-10 NO Ø4	42
W3501000110	VME1-16 NO M5	36

### PLUNGER 3/2 NO – SIDE FITTINGS



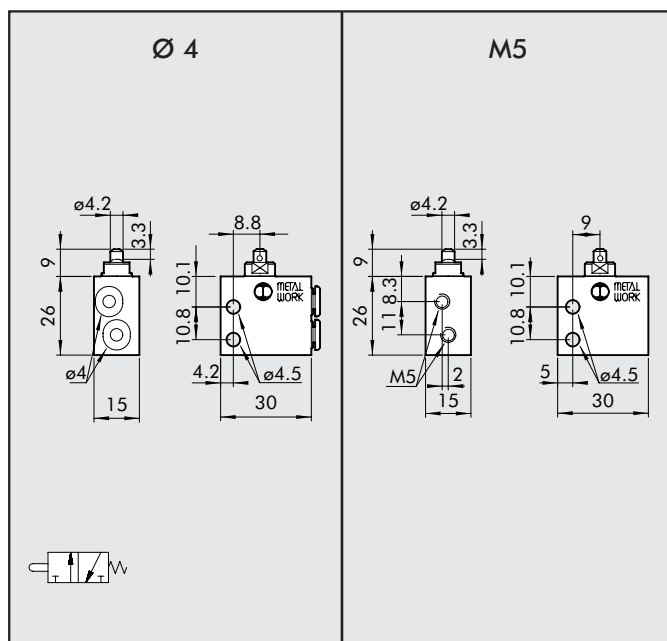
Code	Description	Weight [g]
W3501001100	VME2-00 NO Ø4	34
W3501001110	VME2-10 NO M5	34

### PLUNGER 3/2 NC – AXIAL FITTINGS



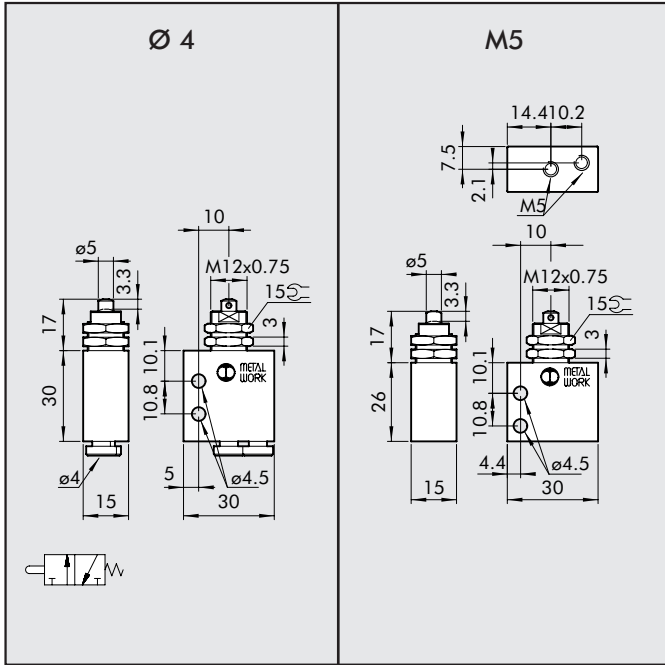
Code	Description	Weight [g]
W3501000100	VME1-01 NC Ø4	42
W3501000111	VME1-11 NC M5	36

### PLUNGER 3/2 NC – SIDE FITTINGS



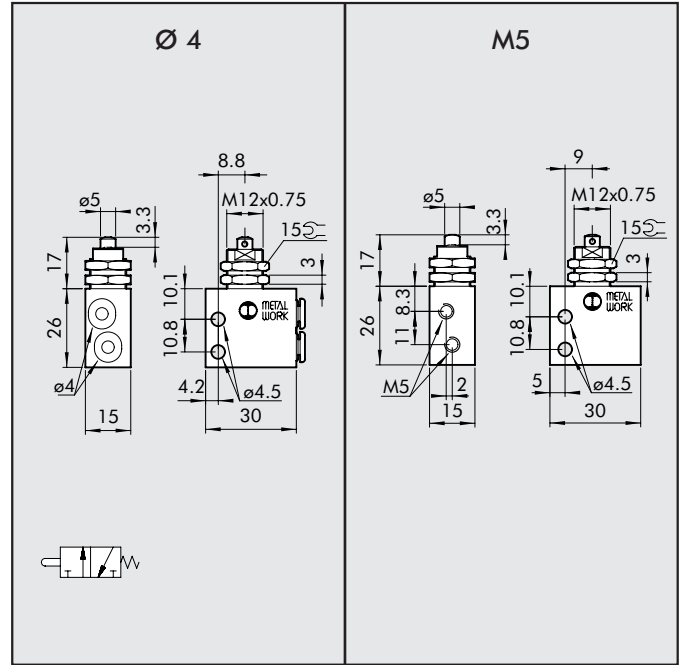
Code	Description	Weight [g]
W3501001101	VME2-01 NC Ø4	34
W3501001111	VME2-11 NC M5	34

**PLUNGER FOR WALL MOUNTING, 3/2 NC AXIAL FITTINGS**



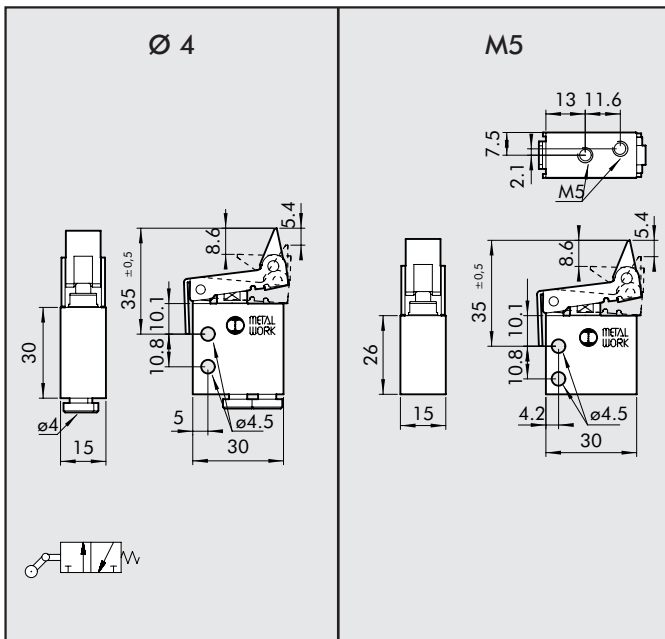
Code	Description	Weight [g]
W3501000400	VME1-04 NC Ø4	54
W3501000411	VME1-14 NC M5	48

**PLUNGER FOR WALL MOUNTING, 3/2 NC SIDE FITTINGS**



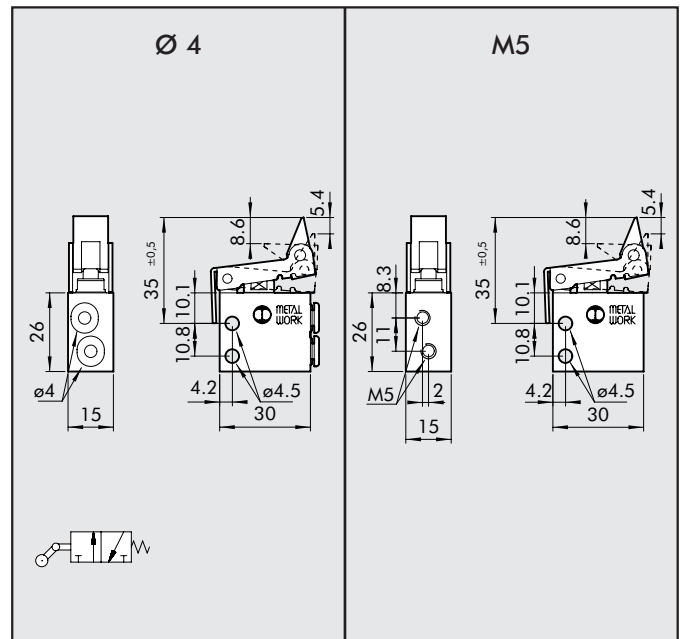
Code	Description	Weight [g]
W3501001401	VME2-04 NC Ø4	46
W3501001411	VME2-14 NC M5	46

**UNIDIRECTIONAL ROLLER LEVER, 3/2 NC AXIAL FITTINGS**

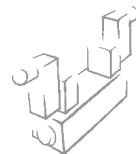


Code	Description	Peso [g]
W3501000300	VME1-03 NC Ø4	60
W3501000311	VME1-13 NC M5	54

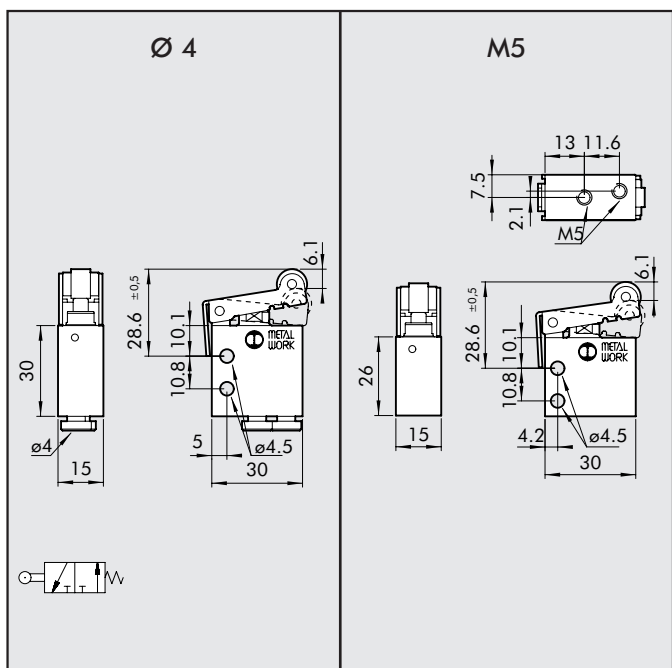
**UNIDIRECTIONAL ROLLER LEVER, 3/2 NC SIDE FITTINGS**



Code	Description	Peso [g]
W3501001301	VME2-03 NC Ø4	52
W3501001311	VME2-13 NC M5	52

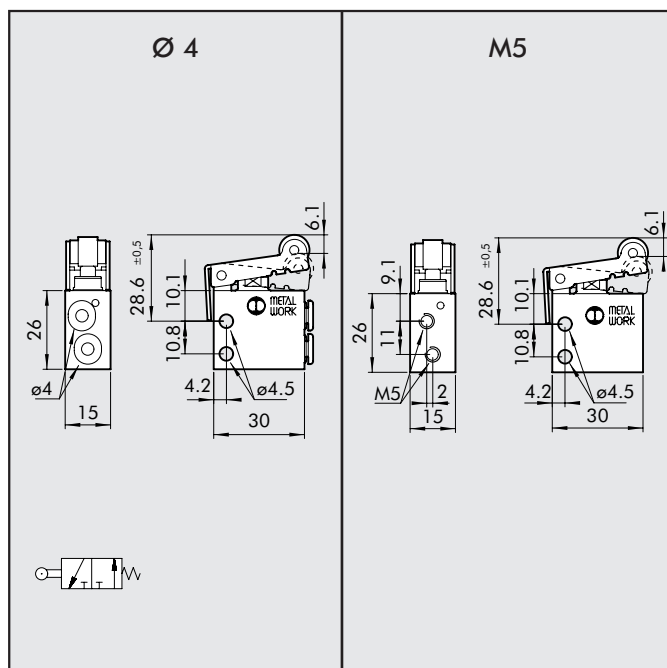


### ROLLER LEVER, 3/2 NO - AXIAL FITTINGS



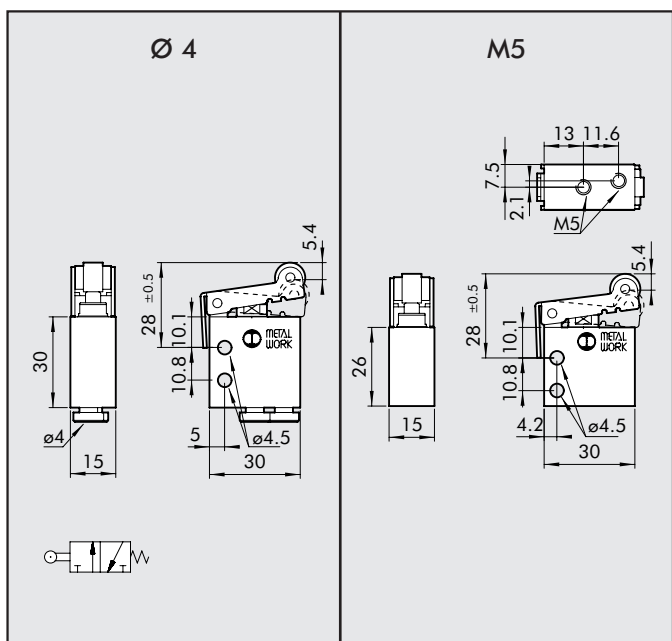
Code	Description	Weight [g]
W3501000201	VME1-05 NO ø4	58
W3501000210	VME1-15 NO M5	52

### ROLLER LEVER, 3/2 NO - SIDE FITTINGS



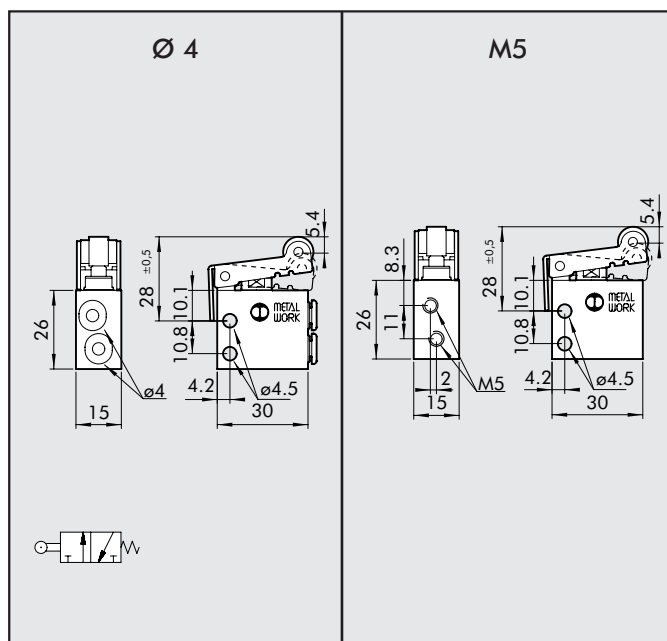
Code	Description	Weight [g]
W3501001200	VME2-05 NO ø4	50
W3501001210	VME2-15 NO M5	50

### ROLLER LEVER, 3/2 NC - AXIAL FITTINGS



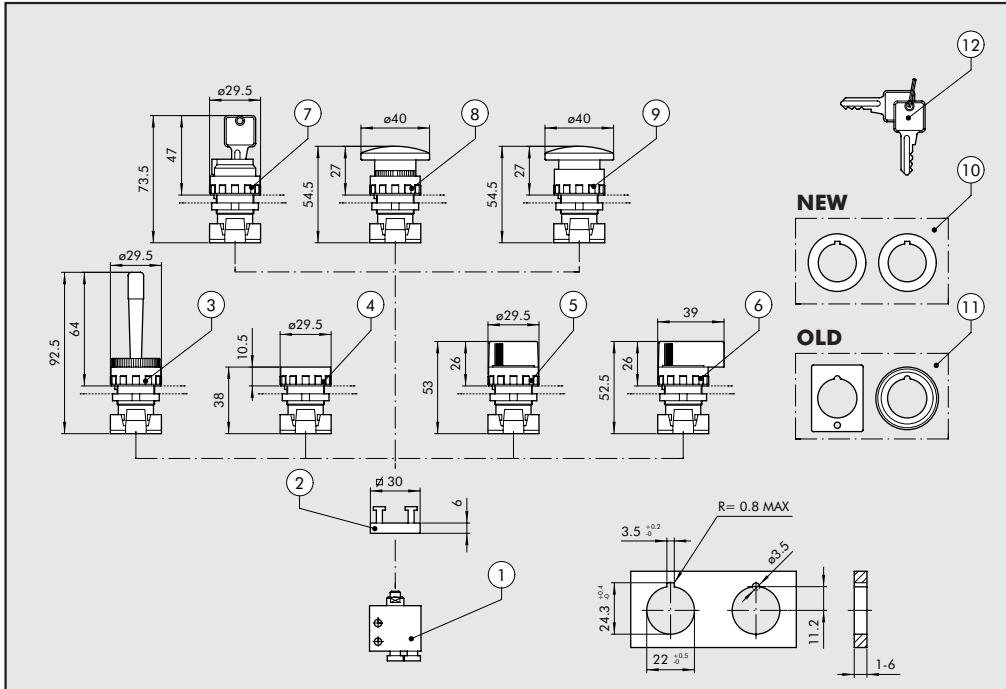
Code	Description	Weight [g]
W3501000200	VME1-02 NC ø4	56
W3501000211	VME1-12 NC M5	50

### ROLLER LEVER, 3/2 NC - SIDE FITTINGS



Code	Description	Weight [g]
W3501001201	VME2-02 NC ø4	52
W3501001211	VME2-12 NC M5	50

## MANUAL VME VALVES – ASSEMBLY DIAGRAM




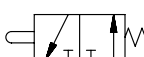

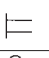
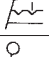
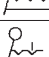

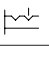
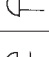
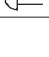
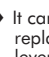
### NOTES:

For 5/2 pneumatic operation, assemble a 3/2 NC plunger valve and a 3/2 NO one on the adapter.

For 5/3 pneumatic operation with open centres, assemble two 3/2 NC plunger valves on the adapter.

For 5/3 pneumatic operation with pressure centres, assemble two 3/2 NO plunger valves on the adapter.

## ORDERING CODES

Symbol	Reference	Description	Code	Weight [g]
	①	3/2 NC Axial fittings ø4	W3501000100	42
		3/2 NC Axial fittings M5	W3501000111	36
		3/2 NC Side fittings ø4	W3501001101	34
		3/2 NC Side fittings M5	W3501001111	34
	①	3/2 NO Axial fittings ø4	W3501000101	42
		3/2 NO Axial fittings M5	W3501000110	36
		3/2 NO Side fittings ø4	W3501001100	34
		3/2 NO Side fittings M5	W3501001110	34
	②	2 places adaptor thickness 6.8 mm	0351000050	5
	③	Red handler with horizontally pivoted lever	W0351000015	25
	④	Fat push button + 2 red/black coloured disks ◆ Bistable fat push button without disk	W0351000011	15
	⑤	Black selector short lever at 2 positions with return	W0351000030	20
		Black selector short lever at 2 positions	W0351000031	20
	⑤	Black selector short lever at 3 positions with return	W0351000032	20
		Black selector short lever at 3 positions	W0351000033	20
	⑥	Black selector long lever at 2 positions with return	W0351000034	26
		Black selector long lever at 2 positions	W0351000035	26
	⑥	Black selector long lever at 3 positions with return	W0351000036	26
		Black selector long lever at 3 positions	W0351000037	26
	⑦	2 positions key selector with extractable key in 2 positions	W0351000016	50
		2 positions key selector with extractable key in 0	W0351000018	50
	⑧	Red mushroom-head push button ø40	W0351000013	27
		Black mushroom-head push button ø40	W0351000017	27
	⑨	Red mushroom-head push button with lock ø40	W0351000014	29
	⑩	✚ Reducer from 30 to 22.5 mm	W0351000049	
	⑪	▲ Adapter for bore ø30 G2326	W0351000050	
	⑫	✚ key for ESC selectors	W0351000021	
◆ It can't be supplied. As working replaced by selector with bistable short lever at 2 positions ⑤				
✚ Usable only with technopolymer body selectors				
▲ Usable only with metal body selectors				
		Green disk for push button ④	W0351000056	