

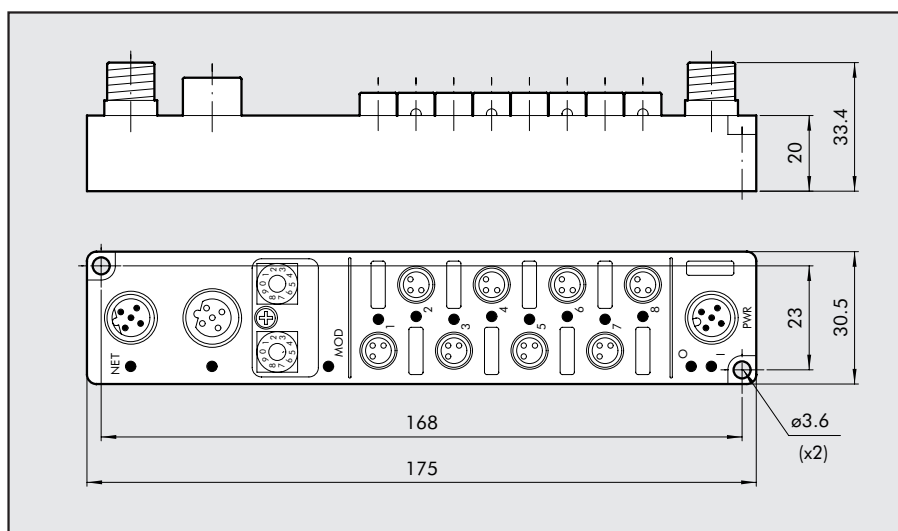
DP IP67 M8 PROFIBUS INPUT

The Profibus DP "COMPACT" input module is a sturdy and compact IP67 slave that can be used for connecting up to 8 inputs. A series of diagnostic functions provides information on the state of operation through lights and signals to the controller.



TECHNICAL DATA		
Application		8 PNP inputs
Power supply		24 Vdc (13-28 V)
Index of protection		IP67
Temperature range		-20 to +70°C RH 5-95% - no condensate
Field Bus technical data	Transmission protocol	DP-VO Profibus to EN 50170
	Transmission mode	Synchronous or Freeze-Mode
	Transfer rate	Up to 12 MBit/s
	Addresses	Rotary switches, 1...99
Input technical data	Type	PNP proximity sensors or IEE 1131-2 compact mechanical stop
	Power supply	24VDC (18 to 28V)
	Signal	One green LED for each input
	Input 0 signal voltage	2...5V
	Input 1 signal voltage	10...30V
Diagnosis	Field bus	"NET" LED+alarm signal to master
	INPUT short-circuit sensor	Red LED for each channel at M8 connection point M8 (600 mA)

IP67 SLAVE



Code	Description
0240008002	IP67 M8 PROFIBUS INPUT

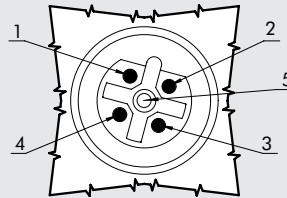
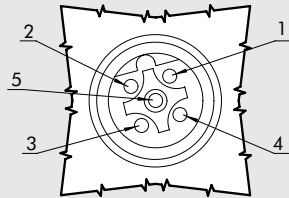
PIN ASSIGNMENT

PROFIBUS CONNECTORS

BUS OUT

M12 female connector
B coding for profibus

- 1 - 5 VDC power
- 2 - Bus A
- 3 - GND
- 4 - Bus B
- 5 - Screen



BUS IN

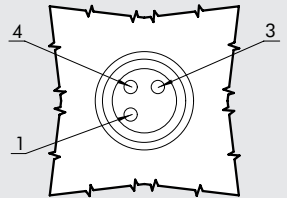
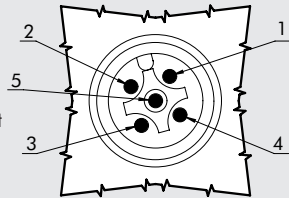
M12 male connector
B coding for profibus

- 1 - 5 VDC power
- 2 - Bus A
- 3 - GND
- 4 - Bus B
- 5 - Screen

POWER CONNECTOR

M12 male connector
A coding

- 1 - Power supply module and input
- 2 - NC
- 3 - GND
- 4 - GND
- 5 - INPUT



INPUT CONNECTORS

M8 three-pole female connector
A coding

- 1 - 24Vdc
- 3 - GND
- 4 - INPUT

LED ASSIGNMENT

NETWORK

- (red): slave not configured or not communicating with master
- (green): slave configured and communicating with master

MODULE FAILURE

- (red): check signal LEDs

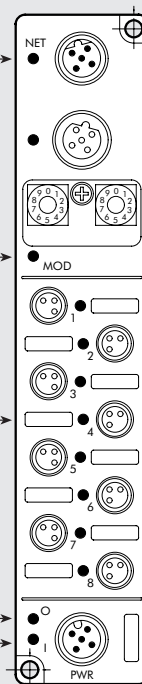
Channel LEDs (inputs)

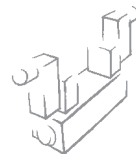
- (green): input enabled
- (red): sensor faulty, +24V power supply short-circuit

NOT USED

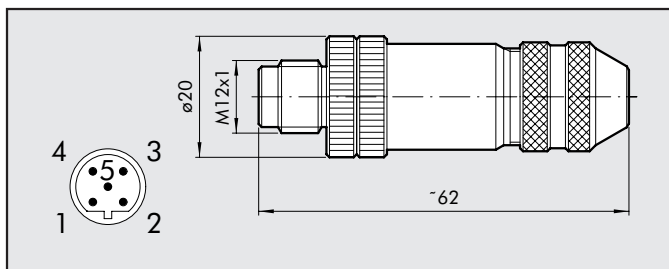
INPUT MODULE POWER SUPPLY

- (green): on



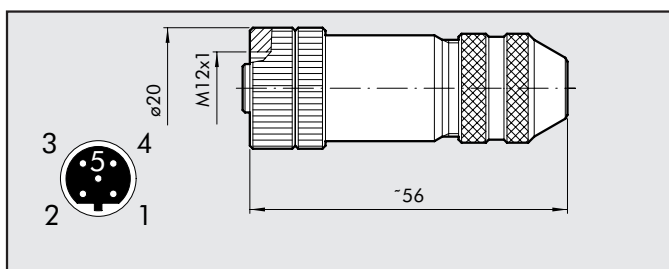


M12 BUS-OUT MALE CONNECTOR



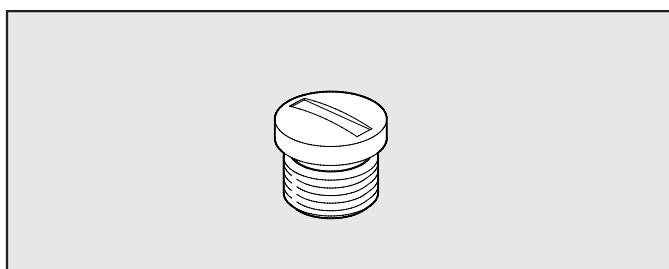
Code	Description
0240009035	M12 male connector, B coding

M12 BUS-IN FEMALE CONNECTOR



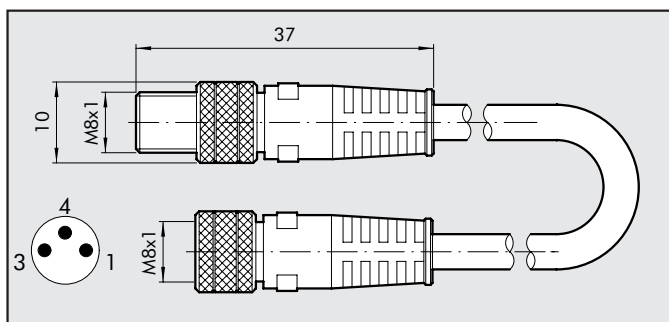
Code	Description
0240009036	M12 female connector, B coding

M8-M12 PLUG



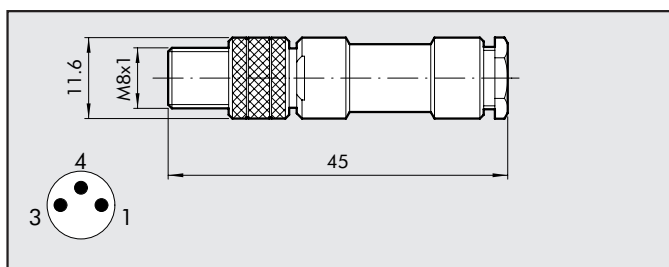
Code	Description
0240009039	M8 plug
0240009040	M12 plug

M8 INPUT CONNECTOR WITH CABLE



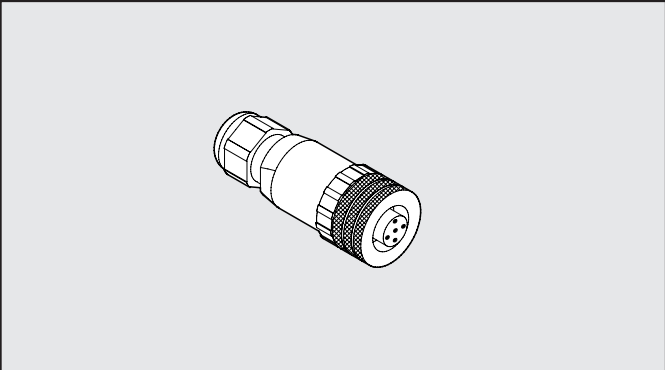
Code	Description
0240009009	M8-M8 straight connector with 3m cable

M8 INPUT CONNECTOR



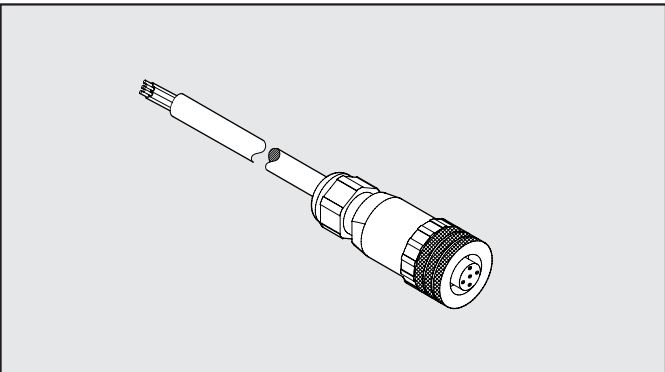
Code	Description
0240009010	M8 3-pin straight connector

M12 STRAIGHT SUPPLY CONNECTOR



Code	Description
W0970513001	ACC. 5-PIN M12x1 STRAIGHT CONNECTOR

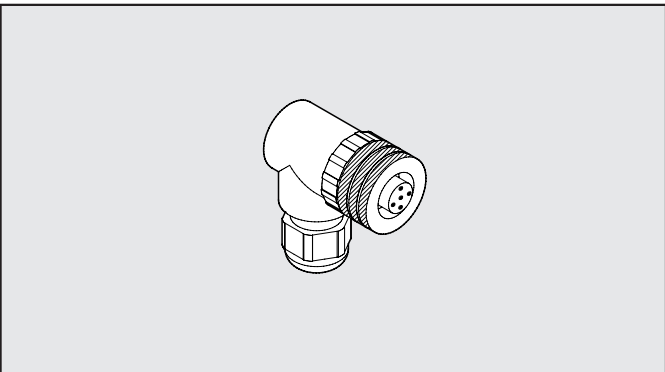
M12 STRAIGHT SUPPLY CONNECTOR WITH CABLE



Code	Description
W0970513002	ACC. 5-PIN M12x1 STRAIGHT CONNECTOR WITH 5m CABLE

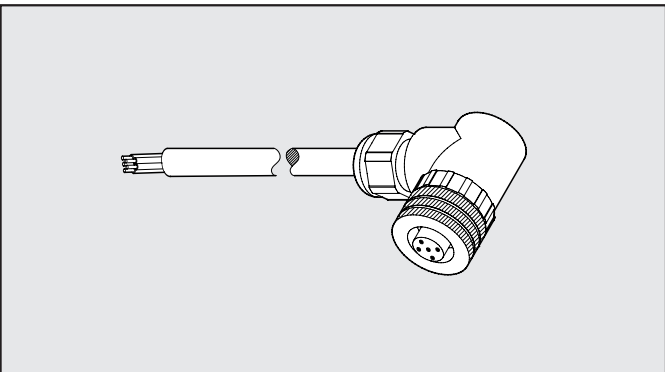
Pin	Cable colour
1	Brown
2	White
3	Blue
4	Black
5	Grey

M12 90° SUPPLY CONNECTOR



Code	Description
W0970513003	ACC. M12x1 5-PIN 90°CONNECTOR

M12 90° SUPPLY CONNECTOR WITH CABLE



Code	Description
W0970513004	ACC. M12x1 5-PIN 90° CONNECTOR WITH 5m CABLE

Pin	Cable colour
1	Brown
2	White
3	Blue
4	Black
5	Grey